

GAS INSTANTANEOUS

Gas Continuous Flow Hot Water

Providing outstanding energy efficiency, precise temperature control and unlimited hot water. The EcoSmart 5 and 6 star energy rated Gas Continuous Flow Hot Water systems provide a cost and fuel efficient solution.



Gas Continuous Comparison

SYSTEM	GAS USAGE (MJ PER ANNUM)	GREENHOUSE GAS EMISSIONS (TONNES PER ANNUM)
5 STAR INSTANTANEOUS (NG)	18,700	1.13
3 STAR GAS STORAGE (NG)	22,680	1.25

Data obtained from www.resourcesmart.vic.gov.au - Estimated Hot Water Running Costs (Aug 2010) - Medium household zone 3

- ✓ Eco-efficient gas water heater range - up to a maximum 6.2 star energy rating
- ✓ Wall mounted for minimum space
- ✓ Heats water only as you need it
- ✓ Anti-frost feature standard on all models
- ✓ Controllers available to enable you to vary water temperature from within your home
- ✓ Precise temperature control



THE ECOSMART ADVANTAGE

Save money, save energy and save the environment by installing a next generation technology EcoSmart Solar Hot Water system.

An EcoSmart Solar Hot Water system can slash the average household's water heating bill by 85%* - that's up to 310 days free hot water every year - as well as help eliminate tonnes of potentially damaging greenhouse gases from our environment.

Savings based on data in comparison chart - 85% efficiency in zone 3 model E3S136T2DC dependent on orientation and conditions. Excludes water costs.





Whether you are building a new home or replacing an existing system, you can rely on EcoSmart for a full range of gas and electric boosted Solar Hot Water systems, as well as the environmentally friendly Solar Heat Pump.

EcoSmart units are built tough to withstand Australia's harsh conditions from outback heat to extreme frost.



TECHNICAL INFORMATION

133 326

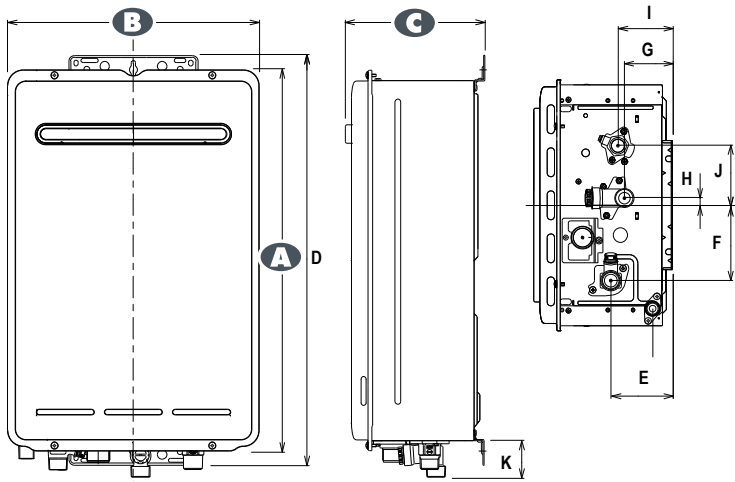
Star Rating				
Hot Water Capacity (L/min @ 25°C rise)	16	20	26	32
Minimum Water Flow (litres/minute)	2.4	2.4	2.4	2.4
Water Inlet Pressure (kPa)				
Minimum	120	160	200	180
Maximum	1000	1000	1000	1000
Water Connections (Inlet & Outlet)	R $\frac{1}{2}$ /15 ($\frac{1}{2}$ " BSP male)	R $\frac{3}{4}$ /20 ($\frac{3}{4}$ " BSP male)	R $\frac{3}{4}$ /20 ($\frac{3}{4}$ " BSP male)	R $\frac{3}{4}$ /20 ($\frac{3}{4}$ " BSP male)
Cover Material	All-weather	All-weather	All-Weather	All-weather
Gas Types	Natural Gas or LPG			
Gas Consumption (Mj/hr)	125	160	199	250
Gas Connection	R $\frac{3}{4}$ /20	R $\frac{3}{4}$ /20	R $\frac{3}{4}$ /20	R $\frac{3}{4}$ /20
Dimensions (mm)				
A Height	571	571	571	644
B Width	350	350	350	470
C Depth	194	194	194	244
Net Weight (kg)	15	15	16	29
Controllers Available	Up to 4	Up to 4	Up to 4	Up to 4
Max Temp (Pre-set)	50°C or 60°C	50°C or 60°C	50°C or 60°C	50°C or 60°C
Capacity				
Bathrooms	1	1-2	2-3	3+
Warranty*	10 yrs Heat Exchange (3 years Parts & Labour)			

*Warranty: Warranty terms and conditions are in the product's Owners Manual, visit www.ecosmart.com.au/warranty for full details and conditions which apply.

WHY ECOSMART?

When you add up the benefits, installing an EcoSmart Hot Water system really is the smart choice for savings and energy efficiency.

- Superior efficiency
- Rebates taken care of
- Environmentally friendly
- The best advice
- Superior installation
- Built tough for Aussie conditions
- Guaranteed hot water in 24 hours



Description	Endurance Models			
	32	26	20	16
D Height- Including Brackets	644	571	571	571
E Hot Water outlet (from wall)	115	87	87	87
F Hot Water outlet (from centre)	61	105	105	105
G Cold Water inlet (from wall)	99	68	68	68
H Cold Water inlet (from centre)	52	10	10	10
I Gas Connection (from wall)	61	77	77	77
J Gas Connection (from centre)	110	83	83	83
Gas Connection Length (from base)	41	40	40	40
K Cold Connection Length (from base)	51	50	50	50
Hot Connection Length (from base)	42	42	39	39

ACCESSORIES

WALL-MOUNTED CONTROLLER (EC1)



Controllers are available for the convenience of being able to vary hot water temperatures inside the home to suit individual needs. Bathroom areas must be tempered when adding controllers. The ensuite and bathroom controllers will not operate unless a main controller has been installed.

