

ROOF MOUNTED

Electric Boosted Solar Hot Water

Ideal for replacing an existing roof mounted system or when there is no space on the ground for a tank. EcoSmart Roof Mounted Solar Hot Water systems with electric boost effortlessly capture the sun's energy and boost the water temperature when required.

Roof Mounted Comparison

SYSTEM	ENERGY USAGE (kWh PER ANNUM)	GREENHOUSE GAS EMISSIONS (TONNES PER ANNUM)
SOLAR ELECTRIC ROOF MOUNTED SYSTEM OFF PEAK	636	0.87
STANDARD ELECTRIC OFF PEAK	4,378	6.00

Data obtained from www.resourcesmart.vic.gov.au - Estimated Hot Water Running Costs (Aug 2010) - Medium household zone 3

- ✓ Traditional type solar hot water system with the tank also on the roof
- ✓ Stainless steel tank for lighter lifting on the roof
- ✓ High density polyurethane insulation
- ✓ Very efficient, economical to install and low maintenance
- ✓ Improved running efficiency and reduced heat loss
- ✓ No storage tank on ground level makes it ideal for homes with a limited yard space



THE ECOSMART ADVANTAGE

Save money, save energy and save the environment by installing a next generation technology EcoSmart Solar Hot Water system.

An EcoSmart Solar Hot Water system can slash the average household's water heating bill by 85%* - that's up to 310 days free hot water every year - as well as help eliminate tonnes of potentially damaging greenhouse gases from our environment.

Savings based on data in comparison chart - 85% efficiency in zone 3 model E3F124W2CR dependent on orientation and conditions. Excludes water costs.

Whether you are building a new home or replacing an existing system, you can rely on EcoSmart for a full range of gas and electric boosted Solar Hot Water systems, as well as the environmentally friendly Solar Heat Pump.

EcoSmart units are built tough to withstand Australia's harsh conditions from outback heat to extreme frost.

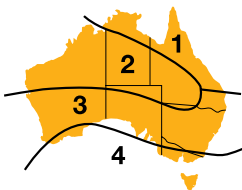
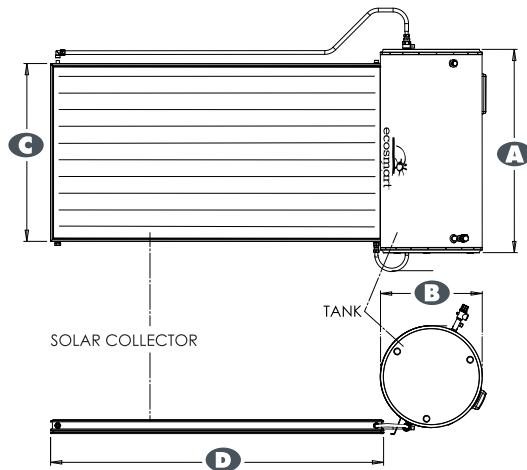


TECHNICAL INFORMATION

133 326

ROOF MOUNTED	180L	330L
Tank Storage Volume (litres)	180	330
Inner Cylinder	316 Marine Grade Stainless	
Electric Boost Element (Electric Spec.) (kW)	2.4	2.4
Net Weight Empty (kg)	43	72
Net Weight Full (kg)	296	485
A Tank width (mm)	1200	2090
B Tank diameter (mm)	600	600
C Collector Width (mm)	1047	2174
D Collector Height (mm)	1964	1964
Maximum Operating Pressure (kPa)	850	
Capacity		
People		
Solar Collectors	High Performance	
Number of Collectors	1	2
Glass	Tempered Low Iron	
Glass Thickness mm	3.2	
Max Temperature of Operation (°C)	210	
System Details		
Pipe Connection (mm)		
Cold	20	
Hot	20	
Mains Voltage	230/240	
Warranty*		
Tank Warranty	10 years (1yr parts/labour)	
Collector Warranty	7 years (1yr parts/labour)	
Heat Exchange Warranty (Gas Spec.)	10 years (1yr parts/labour)	

Size figures are based on environment averages which can effect the performance of solar and heat pump heaters. Adult icon may represent a dishwasher or washing machine. An adult icon does not represent a spa bath.
 *Warranty: Warranty terms and conditions are in the product's Owners Manual, visit www.ecosmart.com.au/warranty for full details and conditions which apply.



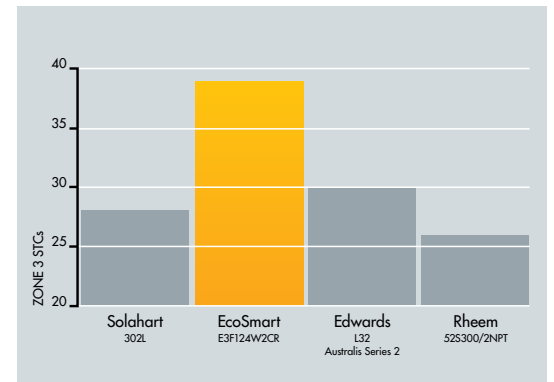
		STC ZONING			
Model	Zone	1	2	3	4
EB 180L - E1F124W1CR	1	19	20	19	17
EB 330L - E3F124W2CR	2	40	43	39	34

STC calculations for all units are based on Continuous Tariff. STC values are subject to change without notice and are correct at time of printing.

IT'S OFFICIAL, WE WILL SAVE YOU MORE ENERGY

The Clean Energy Regulator's register of Solar Hot Water heaters lists EcoSmart's Roof Mounted systems as having one of the highest STCs when compared to similar systems - meaning more savings for you.

The graph below shows just how efficient EcoSmart products truly are.



Solahart™ is a trademark of Solahart Industries Pty Ltd. Edwards™ is a trademark of Rheem Australia Pty Ltd. Rheem™ is a trademark of Rheem Australia Pty Ltd. V17.

When you add up the benefits, installing an EcoSmart Hot Water system really is the smart choice for savings and energy efficiency.

- Superior efficiency
- High STC values
- Rebates taken care of
- Environmentally friendly
- The best advice
- Superior installation
- Built tough for Aussie conditions
- Guaranteed hot water in 24 hours

